

# Data sheet

## EVO BATTERY

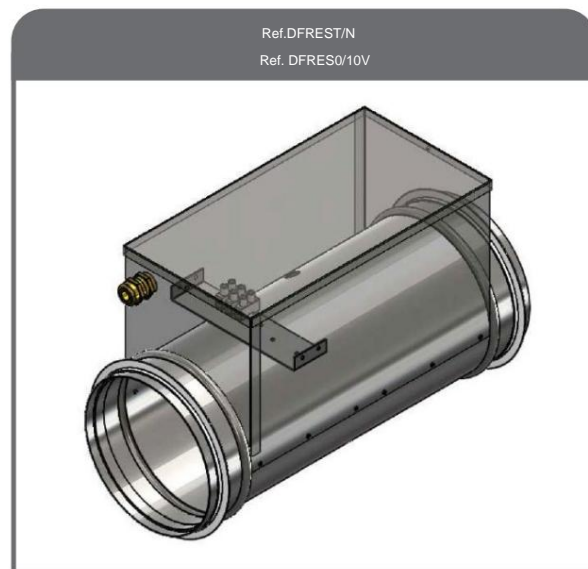
# PRE / POST-HEATING



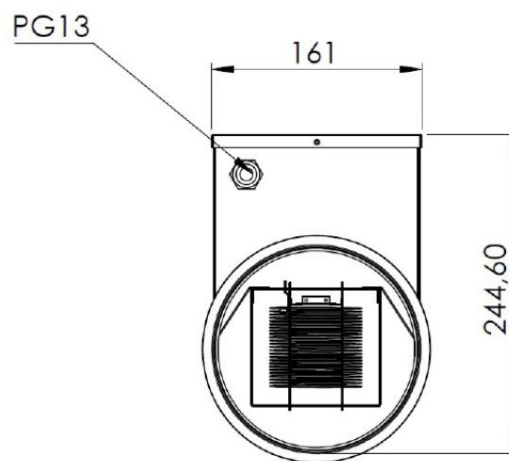
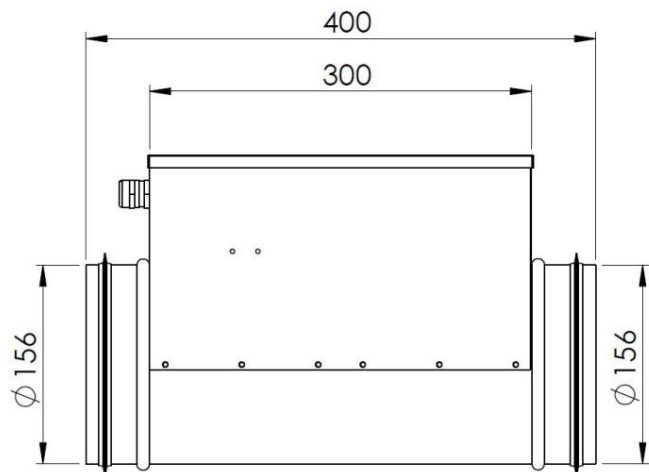
Ventilación inteligente

### PRE- OR POST-HEATING ELECTRIC COIL

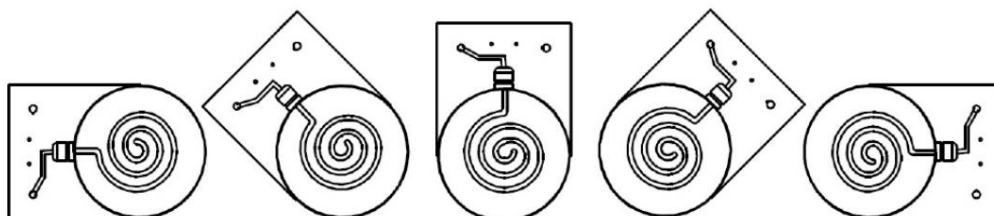
- The additional pre- or post-heater (optional for the Siber DF EVO model) is connected by cable to the group's 20-pin electronic connector.
- The EVO pre-/post-heating electric heater can be used as preheating (before the entry of outside air into the group). Or as post-heating, after the air supply to the home, before or after the corresponding silencer.
- Availability of two versions:
  - DFREST/N: On/Off regulation (Only Postheating).
  - DFRES0/10V: 0-10 V regulation (Pre- or Post-heating).



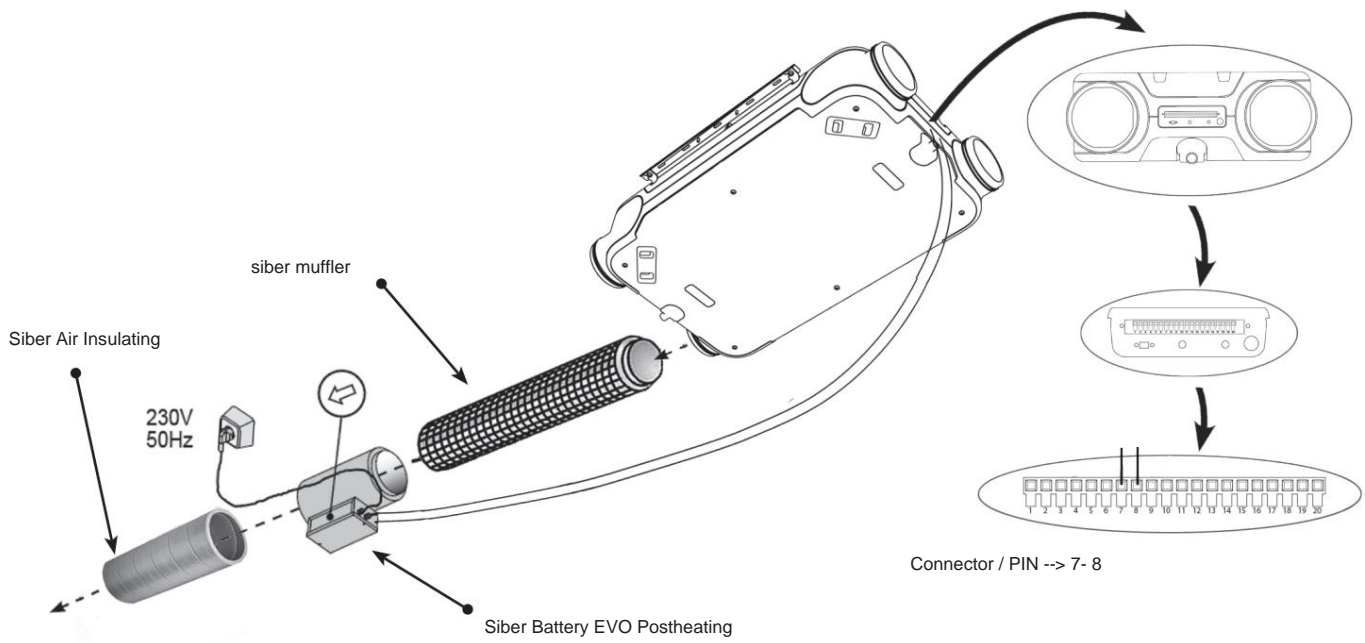
### DIMENSIONS



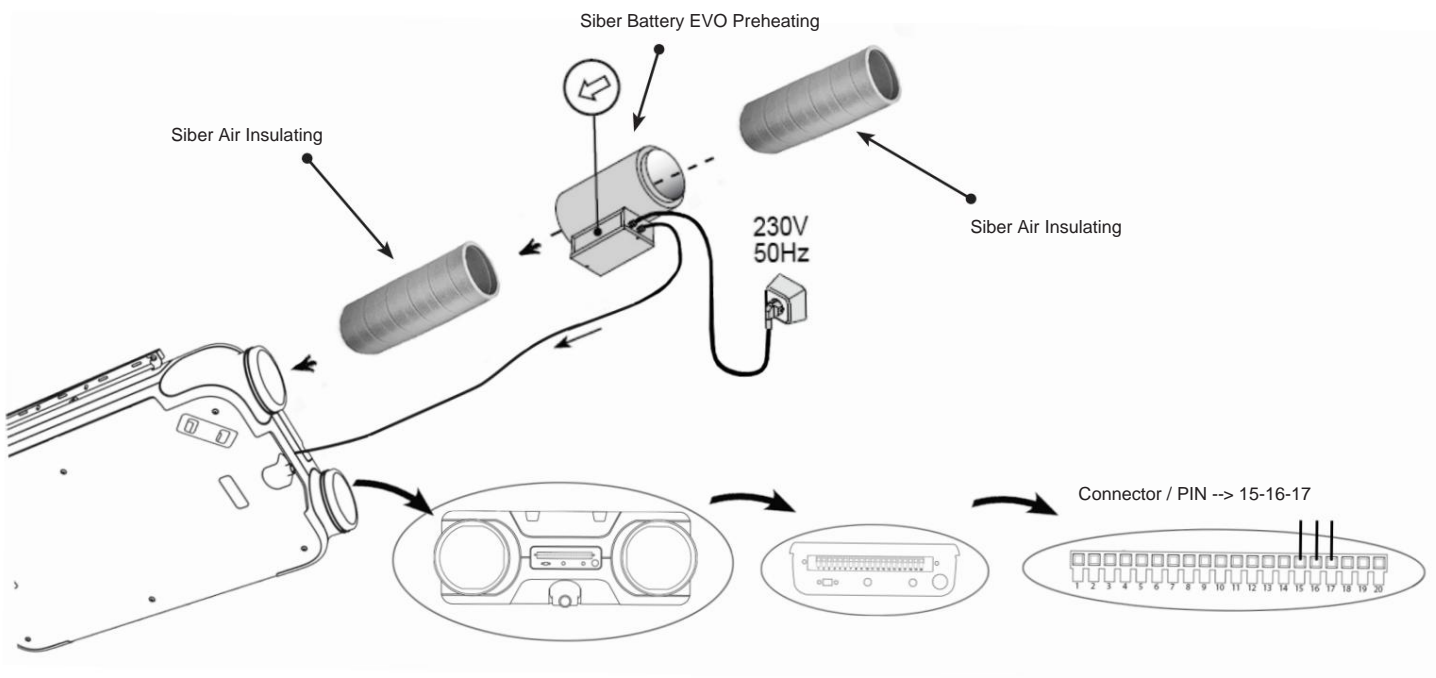
### VALID MOUNTING POSITIONS



## AFTER HEATER CONNECTION



## PREHEATER CONNECTION (DFRES0/10V version only)



## TECHNICAL INFORMATION

supply voltage	230V 50Hz
Weight	4kg
Duct diameter Ø160	
Degree of protection	IP40
Absorbed power	500W
absorbed current	2.6A

